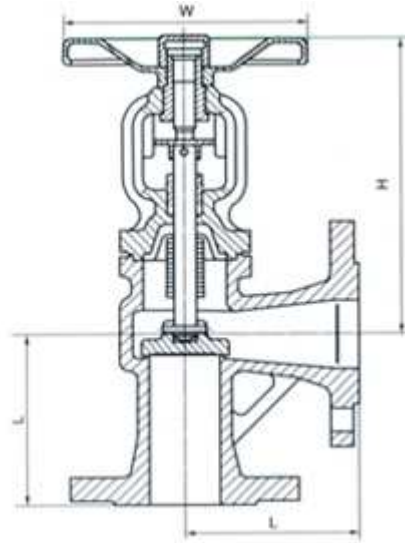




ANGLE TYPE BELLOWS GLOBE VALVE



Features:

Angle Type Bellows Globe Valve

**Products Performance Specification**

Nominal Pressure	1.6MPa	2.5MPa	4.0MPa
Seal Test	1.8MPa	2.8MPa	4.4MPa
Shell	2.4MPa	3.8MPa	6.0MPa
Suitable Temperature	350		

**Main Parts Materials**

Part Name	Body	Bonnet	stem	Disc	Sealing Face	Paking
WCB	WCB	WCB	13Cr	2Cr13	2Cr13	GRAPHITE
					STL	
304	CF8	CF8	304	304	304	GRAPHITE
					STL	PTFE
316	CF8M	CF8M	316	316	316	GRAPHITE
					STL	PTFE
304L	CF3	CF3	316	304L	304L	GRAPHITE
					STL	PTFE
316L	CF3M	CF3M	316	316L	316L	GRAPHITE



								STL	PTFE
--	--	--	--	--	--	--	--	-----	------

### External dimensions and connection size

PN	DN	L	D	D1	D2	B	f	N	H(STROKE)
1.6	15	90	95	65	45	16	2	4-14	6
	20	95	105	75	58	18	2	4-14	6
	25	100	115	85	68	18	2	4-14	8
	32	105	140	100	78	18	2	4-18	8
	40	115	150	110	88	18	3	4-18	13
	50	125	165	125	102	20	3	4-18	13
	65	145	185	145	122	18	3	4-18	16
	80	155	200	160	138	20	3	8-18	20
	100	175	220	180	158	20	3	8-18	25
	125	200	250	210	188	22	3	8-18	32
	150	225	285	240	212	22	3	8-22	40
200	275	340	295	268	24	3	12-22	50	
2.5	15	90	95	65	45	16	2	4-14	6
	20	95	105	75	58	18	2	4-14	6
	25	100	115	85	68	18	2	4-14	8
	32	105	140	100	78	18	2	4-18	8
	40	115	150	110	88	18	3	4-18	13
	50	125	165	125	102	20	3	4-18	13
	65	145	185	145	122	22	3	8-18	16
	80	155	200	160	138	24	3	8-18	20
	100	175	235	220	162	24	3	8-22	25
	125	200	270	250	188	26	3	8-26	32
	150	225	300	295	218	28	3	8-26	40
	200	275	360	310	278	30	3	12-26	50



4.0	15	90	95	65	45	16	2	4-14	6
	20	95	105	75	58	18	2	4-14	6
	25	100	115	85	68	18	2	4-14	8
	32	105	140	100	78	18	2	4-18	8
	40	115	150	110	88	18	3	4-18	13
	50	125	165	125	102	20	3	4-18	13
	65	145	185	145	122	22	3	8-18	16
	80	155	200	160	138	24	3	8-18	20
	100	175	235	220	162	24	3	8-22	25
	125	200	270	250	188	26	3	8-26	32
150	225	300	295	218	28	3	8-26		